



**STANDARD FEATURES**

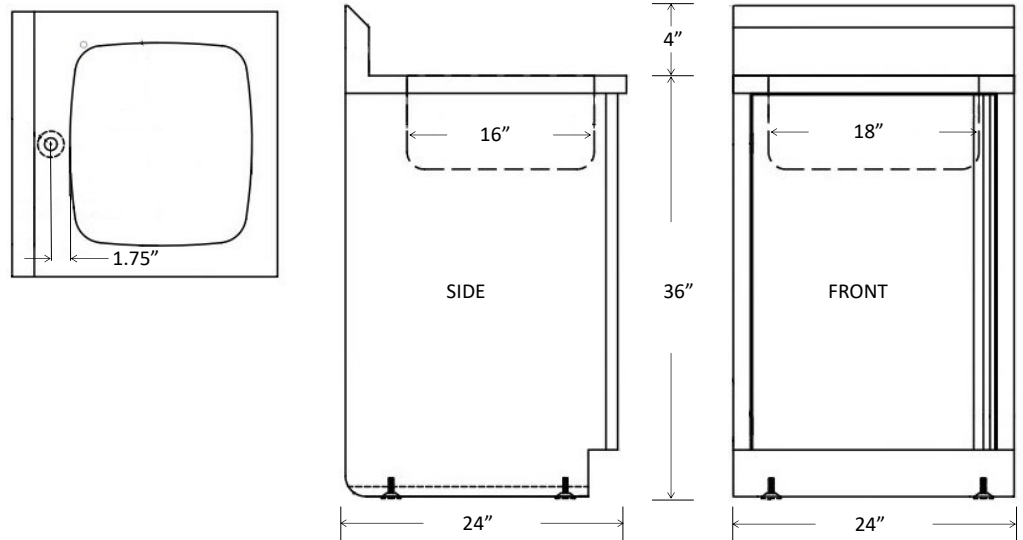
- Manufactured from 304 stainless steel with a #4 finish, seams ground and polished
- Countertop is 16-gauge stainless steel with #4 finish
- Stainless steel cabinet is 18-gauge stainless steel with #4 finish
- Cleanroom sink features a stainless steel hinged door to allow access to plumbing below
- R1.750 radius rear allows for easy installation into existing anterooms with coved flooring
- 1.125" cut-out for installation of single hole faucet



**STAINLESS STEEL CLEANROOM SINK**

Project #  Date:

Quote #  Customer Ref #



Qty	Part #	Description
	17CS-001	Stainless Steel Cleanroom Sink with radius for coved floors
	17CS-F01	Hands free battery operated faucet
	17CS-SB1	Add solid pack panel to cleanroom sink
	17CS-NH1	Custom cut-out for faucet in lieu of 1.125" radius cut-out

Customer Approval \_\_\_\_\_

Date: \_\_\_\_\_