

SOFTWALL CLEANROOM SYSTEMS



HPC-ASI SERIES SOFTWALL MODELS

PART NUMBER	DESCRIPTION	SIZE
SWCR-6-8-x	ASI-SOFTWALL	72"W x 96"D x 96"H
SWCR-8-8-x	ASI-SOFTWALL	96"W x 96"D x 96"H
SWCR-10-12-x	ASI-SOFTWALL	120"W x 144"D x 96"H
SWCR-12-12-x	ASI-SOFTWALL	144"W x 144"D x 96"H
SWCR-6-12-x	ASI-SOFTWALL	72"W x 144"D x 96"H
SWCR-8-12-x	ASI-SOFTWALL	96"W x 144"D x 96"H
SWCR-8-16-x	ASI-SOFTWALL	96"W x 192"D x 96"H
SWCR-10-16-x	ASI-SOFTWALL	120"W x 192"D x 96"H
SWCR-10-20-x	ASI-SOFTWALL	120"W x 240"D x 96"H
SWCR-20-20-x	ASI-SOFTWALL	240"W x 240"D x 96"H

We offer a wide range of lightweight all modular aluminum framed Softwall Cleanroom Systems designed to meet your exact needs.

Our HPC-ASI series modular self-supporting Softwall systems are available in a range of sizes and framing designs which can be used to isolate or divide working areas into smaller working zones. All systems are modular and expandable.

Softwall flexible panels are made from pure ingredients, no recycled materials and are formulated to be fire-retardant and low-outgassing. For applications requiring ESD control we offer anti-static material.



Thicknesses available are: .040, .060, .080, .120, and .160 mil with panels available in large widths or smaller strip curtain widths for ease of access.

Panel colors available: Clear, frosted, white, amber tint, smoke tint, blue, grey, black and tan.

All our systems are installed quickly and are expandable to accommodate evolving technology requirements.

Contact your local technical representative for further details.

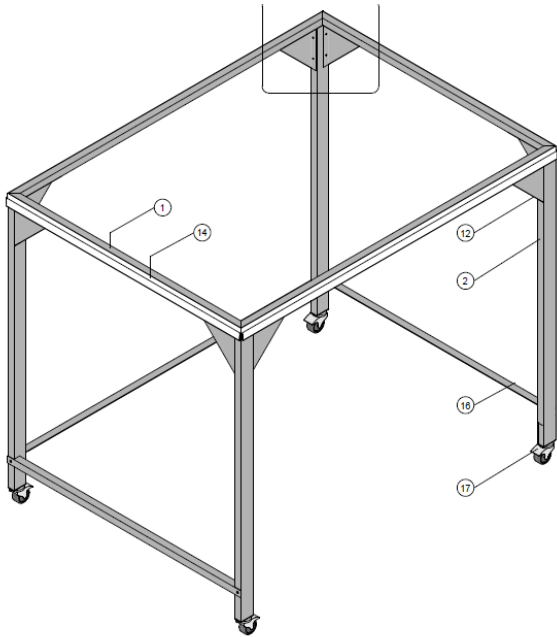


COMBINED ENGINEERING SOLUTIONS - ONE CREATIVE VISION

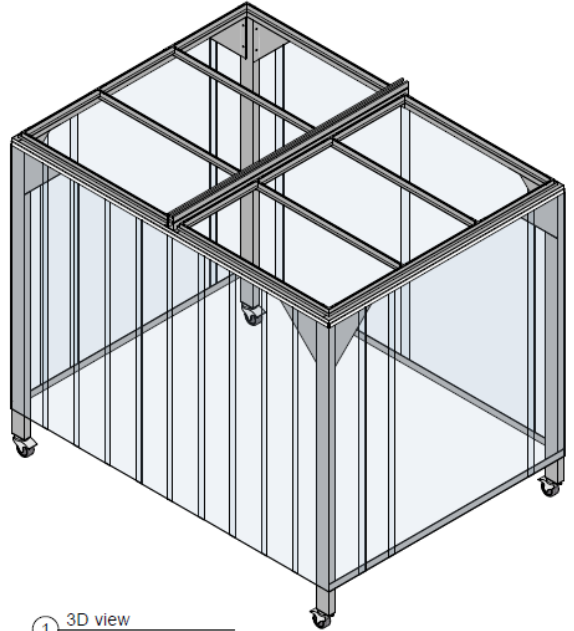
T: Ottawa : (613) 366-4984 – T: Toronto : (416) 477-4984 – F: (613) 831-4966
120 Terence Matthews Crescent, Unit F1, Ottawa, Ontario K2M 0J1

www.hepaireproducts.com

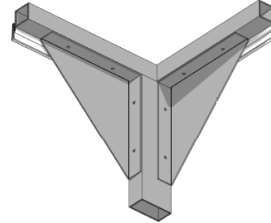
SOFTWALL CLEANROOM SYSTEMS - DETAILS



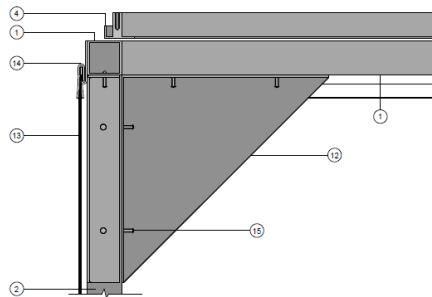
① TYPICAL FRAME ASSEMBLY



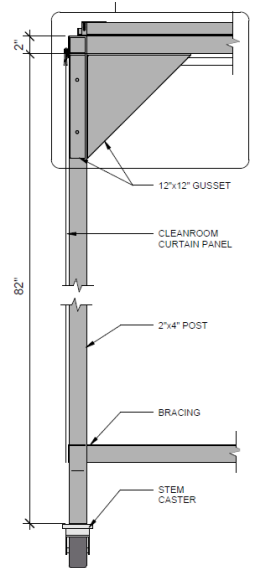
① 3D view



② TYPICAL GUSSET



③ GUSSET TO POST DETAIL



FRAME SECTION



COMBINED ENGINEERING SOLUTIONS - ONE CREATIVE VISION

T: Ottawa : (613) 366-4984 – T: Toronto : (416) 477-4984 – F: (613) 831-4966

120 Terence Matthews Crescent, Unit F1, Ottawa, Ontario K2M 0J1

www.hepaireproducts.com